

350T LIFTABLE BASKET

Equipment Specification Sheet

- 350T PRODUCT CAPACITY
- 12.0M BASKET OUTER DIAMETER
- 9.0M INNER HUB DIAMETER
- 3.0M BASKET HEIGHT
- LIFTABLE

FEATURES

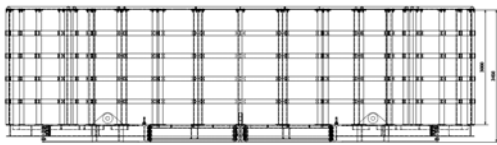
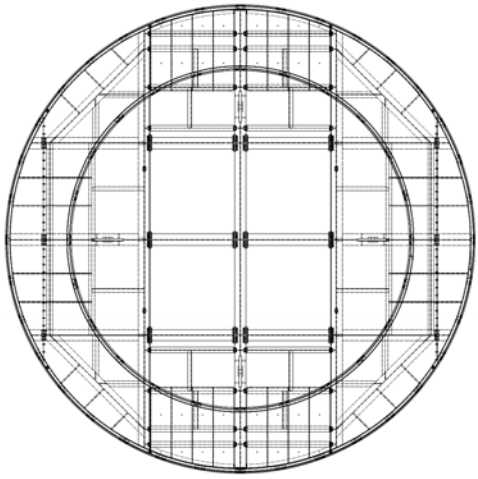
- Dedicated Basket for onshore and offshore cable spooling, transportation and storage.
- 350T storage capacity suitable for offshore wind farm inter-array and export power cable storage.
- Compatible with both DOC 1000T Modular Turntable and loading tower.
- Modular design for containerized transportation and quick mobilisation and demobilisation.
- Basket is liftable up to 350T product inside



**dutch
offshore
contractors**

Dutch Offshore Contractors BV
4382 NM, Vlissingen
The Netherlands

www.dutchoffshorecontractors.com
info@dutchcontractors.com
T +31 (0)85 273 63 10



TECHNICAL DETAILS

- Dimensions 12.0m OD x 9.0m ID x 3.5m H
Capacity 350T
- Weight empty 30T
- Onshore and offshore use
- Liftable with product up to 350T inside

- Design verification DNV-GL

350T LIFTABLE BASKET



Dutch Offshore Contractors BV
4382 NM, Vlissingen
The Netherlands

www.dutchoffshorecontractors.com
info@dutchcontractors.com
T +31 (0)85 273 63 10