



# 4.5M MBR CABLE CHUTE

## Equipment Specification Sheet

- 4.5M MBR
- WEIGHT 6.0T
- EXTENDABLE IN WIDTH

## FEATURES

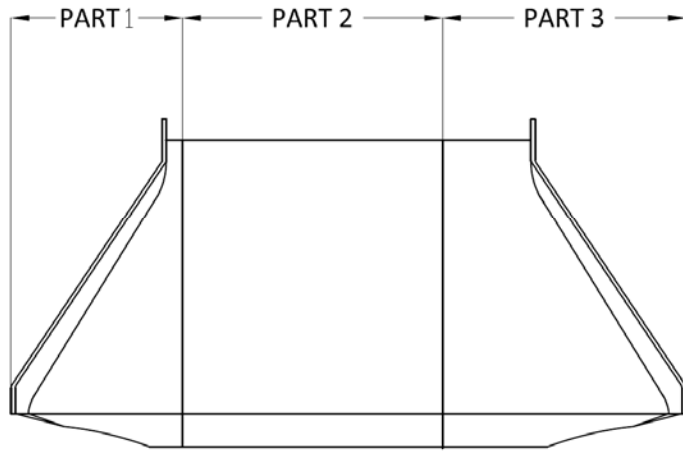
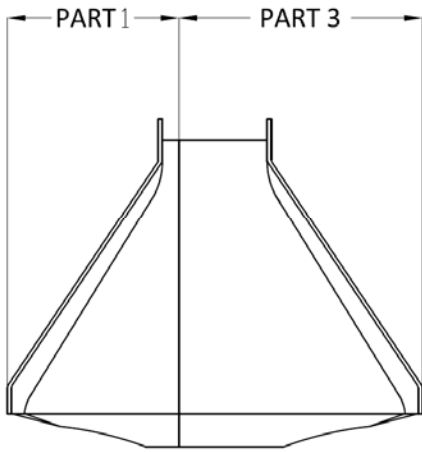
- Chute consists of 3 parts and can be installed with a opening width of 1.7m or 6.0m
- Can be used on shore on a quay side but can also be modilised as an overboarding chute on a vessel or barge



**dutch  
offshore  
contractors**

Dutch Offshore Contractors BV  
4382 NM, Vlissingen  
The Netherlands

[www.dutchoffshorecontractors.com](http://www.dutchoffshorecontractors.com)  
[info@dutchcontractors.com](mailto:info@dutchcontractors.com)  
T +31 (0)85 273 63 10



## TECHNICAL DETAILS

- ▮ Dimensions small    5.4m L x 6.8m W x 5.4m H – assembled as part 1 and part 3  
 Weight                    6.0T
- ▮ Dimensions big        5.4m L x 11.2m W x 5.4m H – assembled as part 1, 2 and part 3  
 Weight                    14.0T
- ▮ MBR                        4.5m  
 MBR flares                4.5m

4.5M MBR CABLE CHUTE



**dutch  
offshore  
contractors**

Dutch Offshore Contractors BV  
 4382 NM, Vlissingen  
 The Netherlands

[www.dutchoffshorecontractors.com](http://www.dutchoffshorecontractors.com)  
[info@dutchcontractors.com](mailto:info@dutchcontractors.com)  
 T +31 (0)85 273 63 10